

Disposal & Dismantling

Article number: 4307777
Light source: LT2516_module

Dismantling of light source for disposal purposes

Firstly, disconnect the product from any power supply. Secure it against unauthorized switching on. Follow the steps indicated in the drawing and dispose of the light source according to the relevant legal regulations.

Step 1: Remove the screws on the bottom of the lamp base.

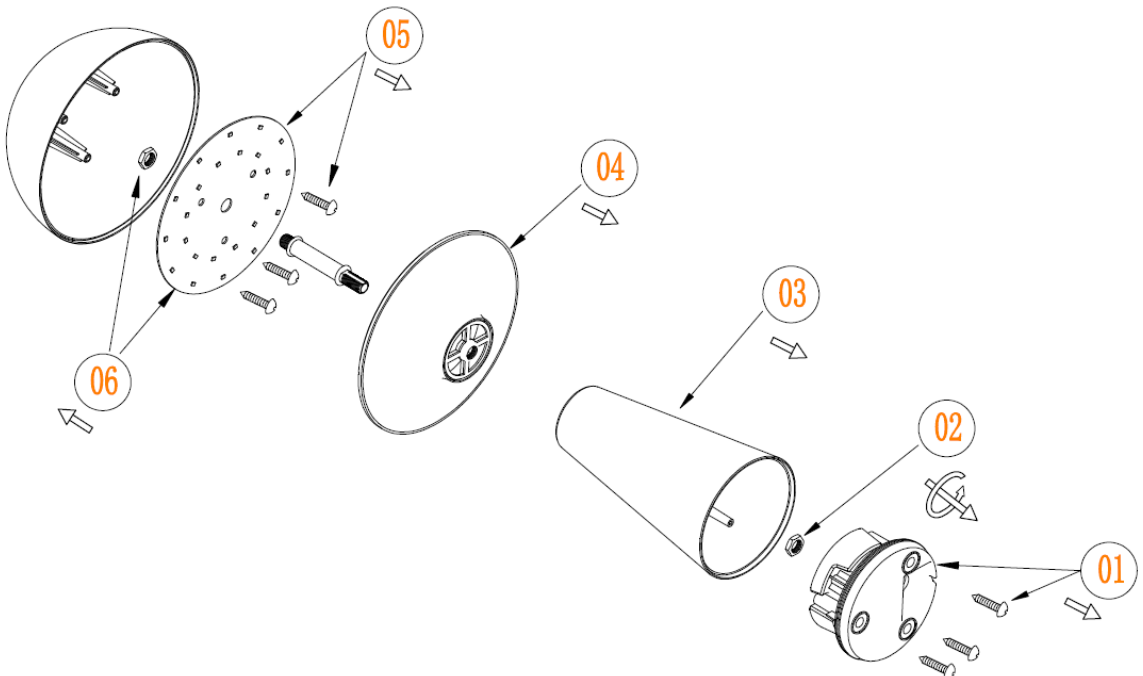
Step 2: Remove the nut.

Step 3: Remove the lamp base.

Step 4: Remove the bottom cover of the lamp shade.

Step 5: Remove the screws from the light source.

Step 6: Cut the wires and remove the nut to take out the light source.



Manufacturer

DI-KA Vertriebsgesellschaft mbH & Co. KG
Oberstrasse 4, 59755 Arnsberg, Germany
Tel: +49 2932 9022580
<http://www.di-ka.net/>